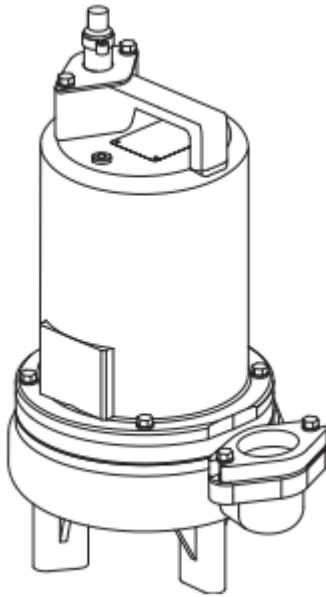


SE-HT – .5 HP

2" Spherical Solids Handling - High Temperature - Manual & Automatic

BARNES®



Specifications

DISCHARGE: 2" NPT, Female, vertical, bolt-on flange

SPEED: 1750 RPM (Nominal)

LIQUID TEMPERATURE: 200°F (93°C) Continuous

MOTOR HOUSING: Cast iron ASTM A-48, class 30

IMPELLER:

- **Design:** 2 Vane, open with pump out vanes on back side, dynamically balanced, ISO G6.3
- **Material:** Cast iron ASTM A-48, class 30

CORD ENTRY: 15 ft. (5m) Cord with plug on 120 & 240 Volt, Quick connect custom molded for sealing and strain relief

SINGLE PHASE: Permanent split capacitor (PSC) includes overload protection in motor

MOTOR:

- **Design:** NEMA L torque curve, oil filled, squirrel cage induction
- **Insulation:** Class F

UPPER BEARING:

- **Design:** Single row, ball
- **Lubrication:** Oil
- **Load:** Radial

LOWER BEARING:

- **Design:** Single row, ball
- **Lubrication:** Oil
- **Load:** Radial & thrust

VOLUTE: Cast iron ASTM A-48, class 30

SHAFT: 416 Stainless steel

SQUARE RINGS: Buna-N

HARDWARE: 300 Series stainless steel

PAINT: Air dry enamel

SEAL PLATE: Cast iron ASTM A-48, class 30

SEAL KIT P/N: 130180

SERVICE KIT P/N: 130207

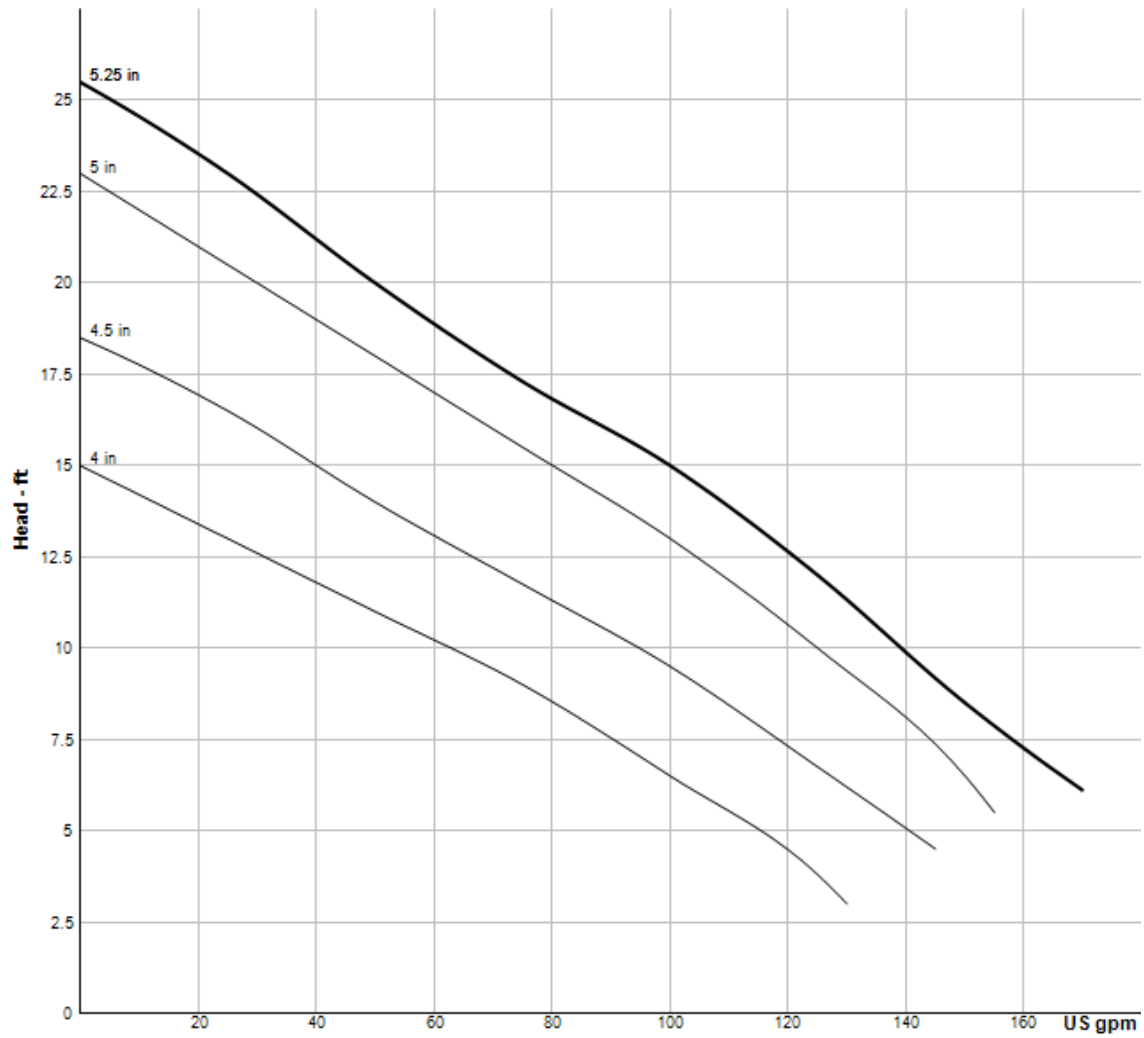
LEVEL CONTROL: "A" - Wide angle, PVC, mechanical, 15 ft (5m) cord with piggy-back plug, N/O

LEVEL CONTROL: "AU"- Wide angle, polypropylene, mechanical, N/O, integral to pump. ON and OFF points are adjustable



* 3/4" Spherical solids handling with optional inlet strainer

Curves



Pump HP	Impeller Dia mm (in.)
0.5	133 (5.25)

Model Information

MODEL NO	SE51HT	SE51HTA	SE51HTAU	SE52HT	SE52HTAU
PART NO	104876	104877	104878	104879	104880
HP	0.5	0.5	0.5	0.5	0.5
VOLT/PH	120/1	120/1	120/1	240/1	240/1
Hz	60	60	60	60	60
RPM (nom)	1750	1750	1750	1750	1750
NEMA START CODE	R	R	R	R	R
FULL LOAD AMPS	17	17	17	8.5	8.5
LOCKED ROTOR AMPS	63.8	63.8	63.8	30.1	30.1
CORD SIZE	14/3	14/3	14/3	14/3	14/3
CORD TYPE	SOW	SOW	SOW	SOW	SOW
CORD O.D inch (mm)	0.530 (13.5)	0.530 (13.5)	0.530 (13.5)	0.530 (13.5)	0.530 (13.5)

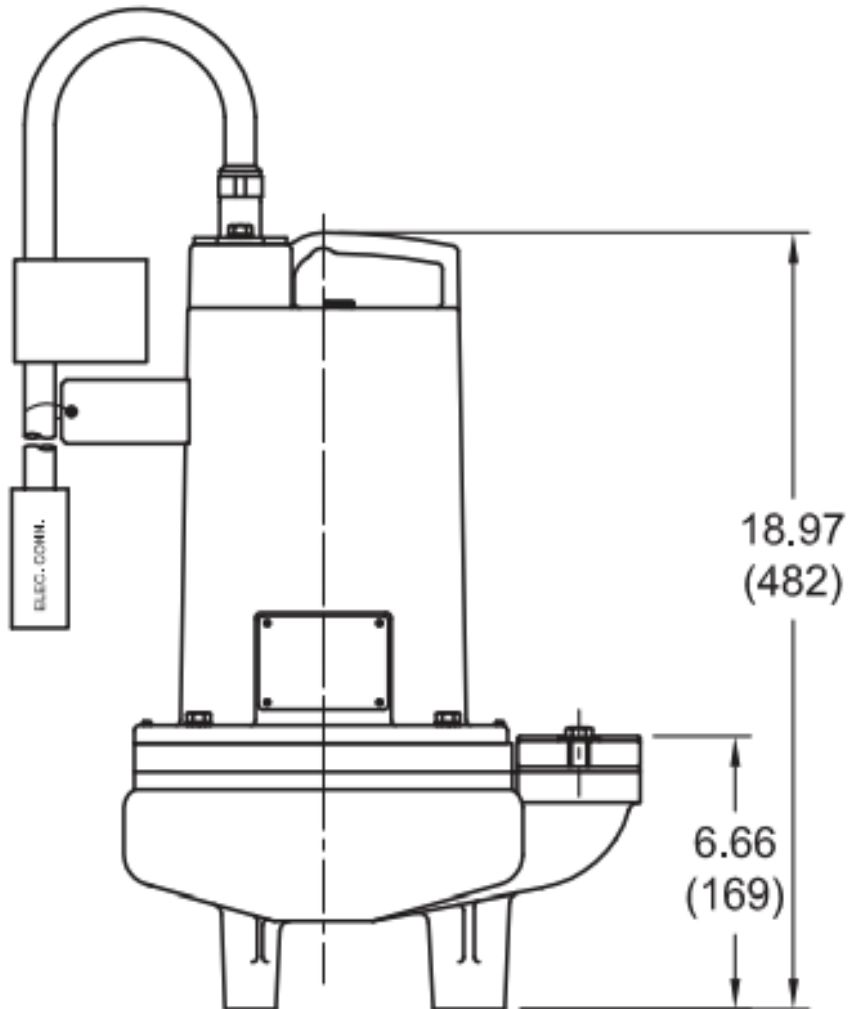
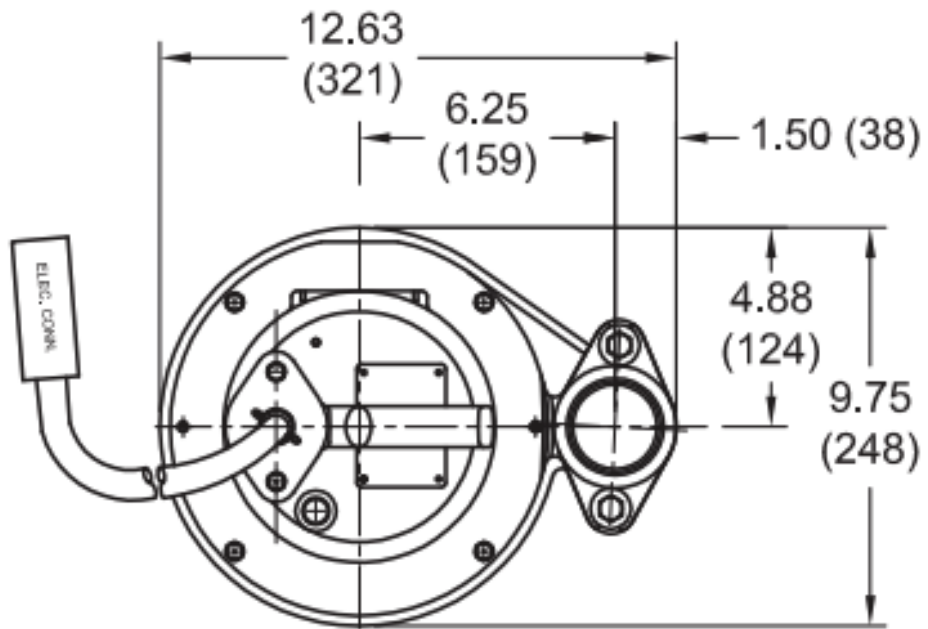


IMPORTANT

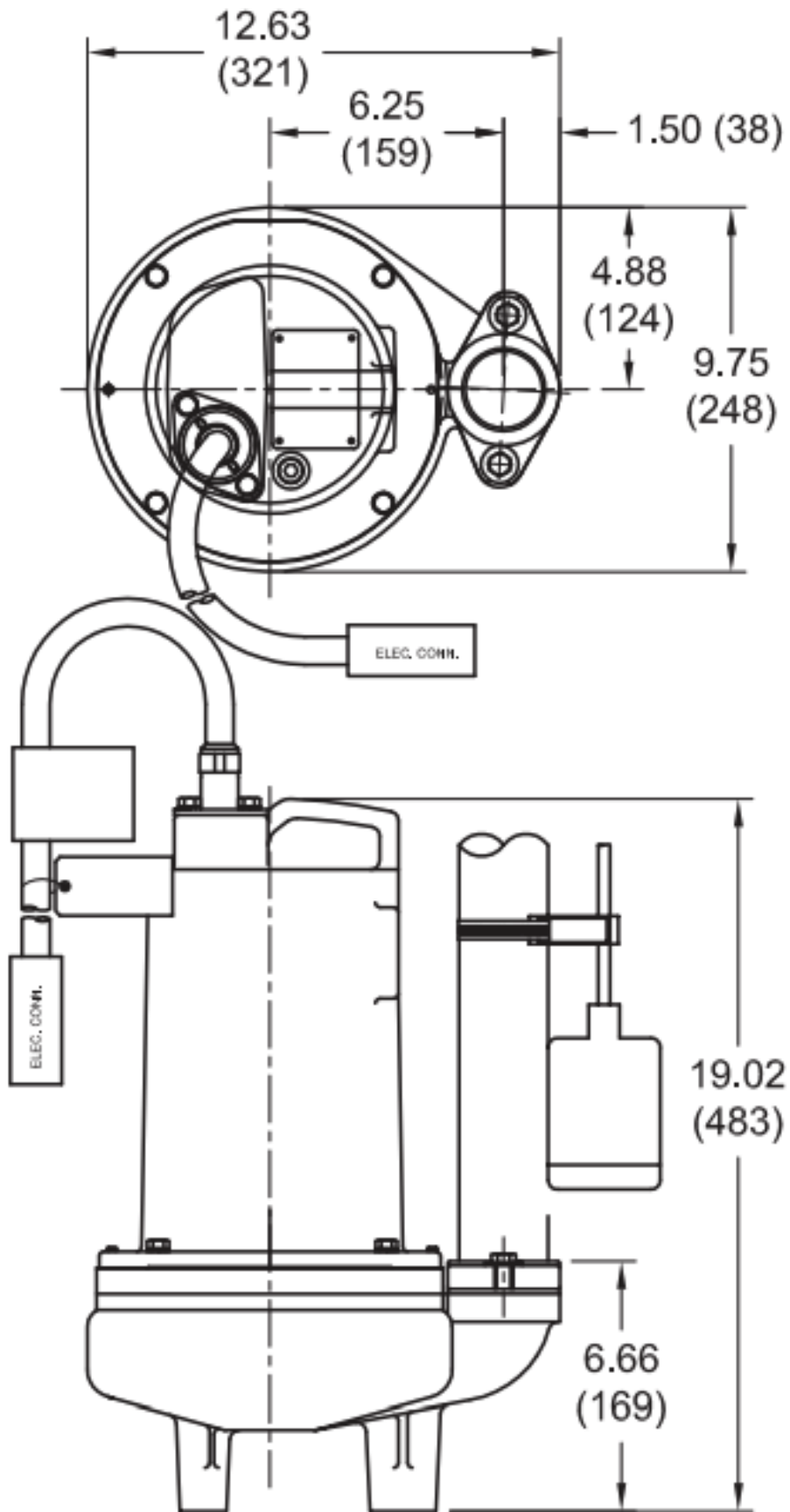
- 1.) PUMP MAY BE OPERATED "DRY" FOR EXTENDED PERIODS WITHOUT DAMAGE TO MOTOR AND/OR SEALS.
- 2.) INSTALLATIONS SUCH AS DECORATIVE FOUNTAINS OR WATER FEATURES PROVIDED FOR VISUAL ENJOYMENT MUST BE INSTALLED IN ACCORDANCE WITH THE NATIONAL ELECTRIC CODE ANSI/NFPA 70 AND/OR THE AUTHORITY HAVING JURISDICTION. THIS PUMP IS NOT INTENDED FOR USE IN SWIMMING POOLS, RECREATIONAL WATER PARKS, OR INSTALLATIONS IN WHICH HUMAN CONTACT WITH PUMPED MEDIA IS A COMMON OCCURRENCE.

Drawings

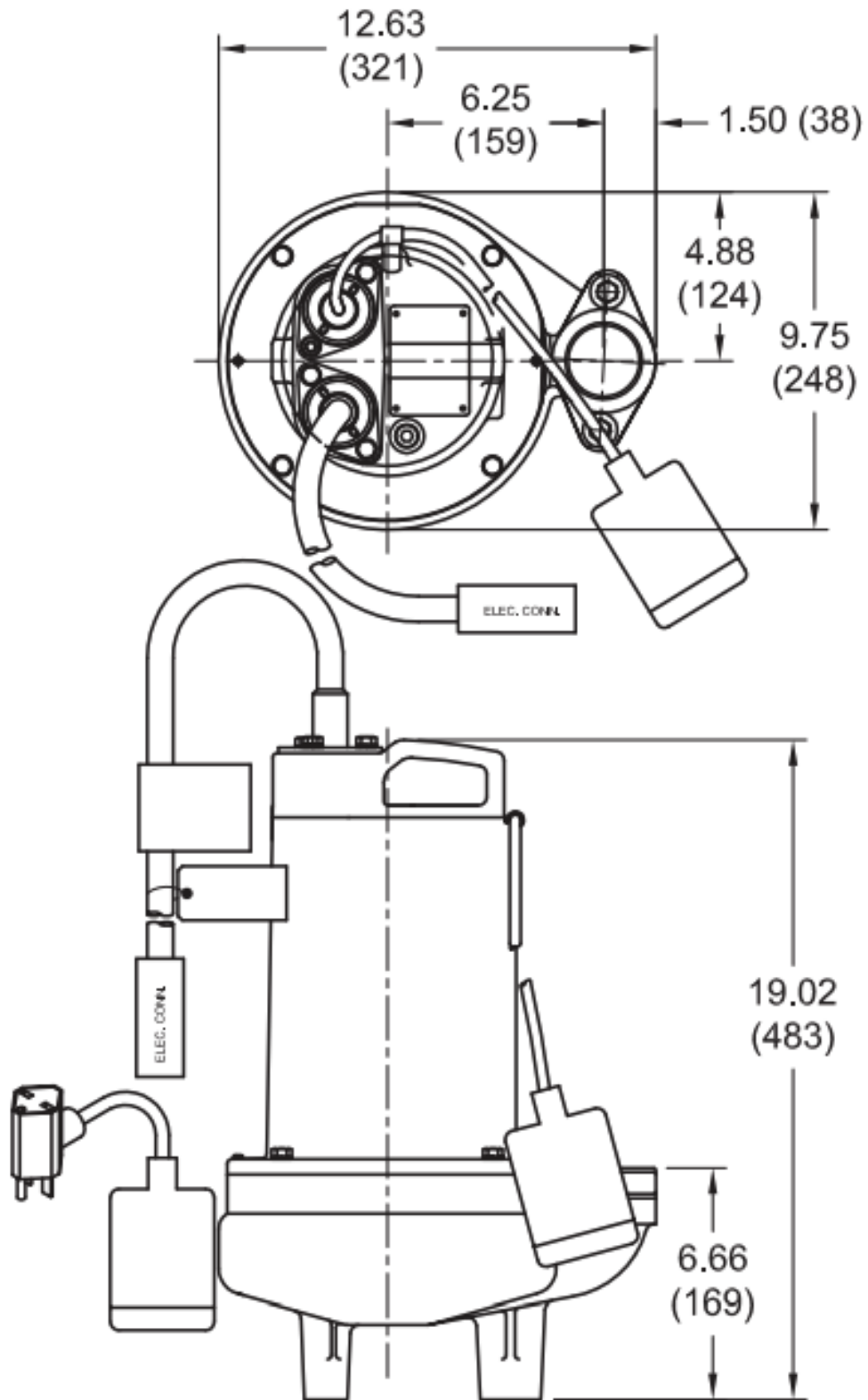
SE51HT & SE52HT



SE51HTA



SE51HTAU & SE52HTAU



© 2024 Crane Pumps & Systems